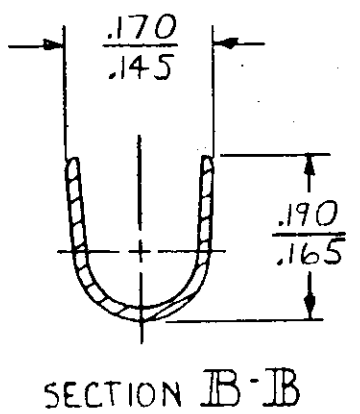
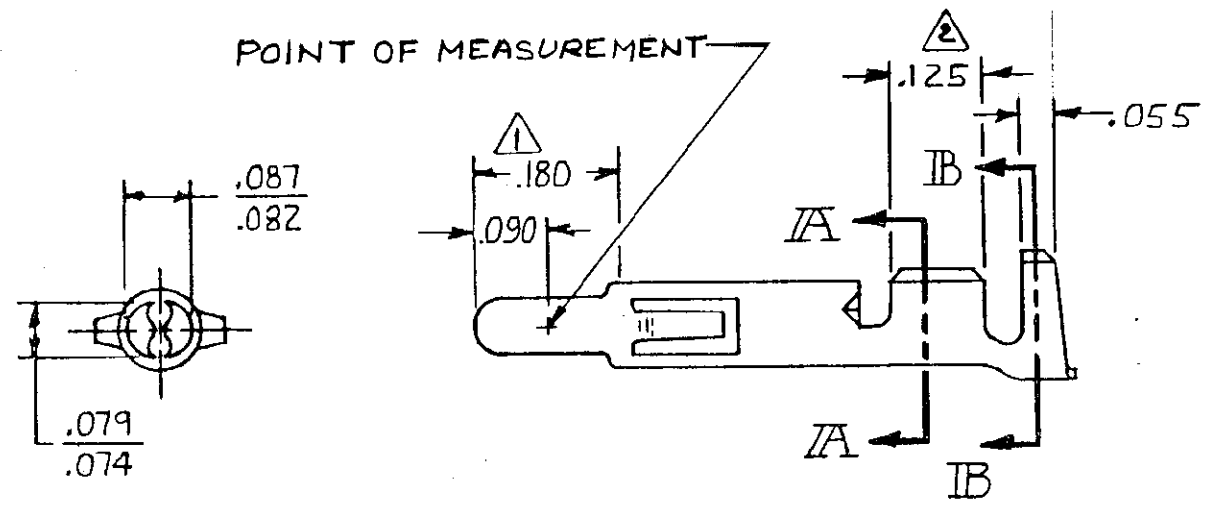
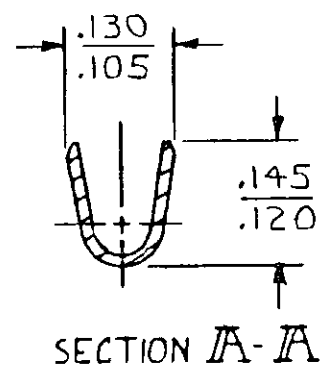
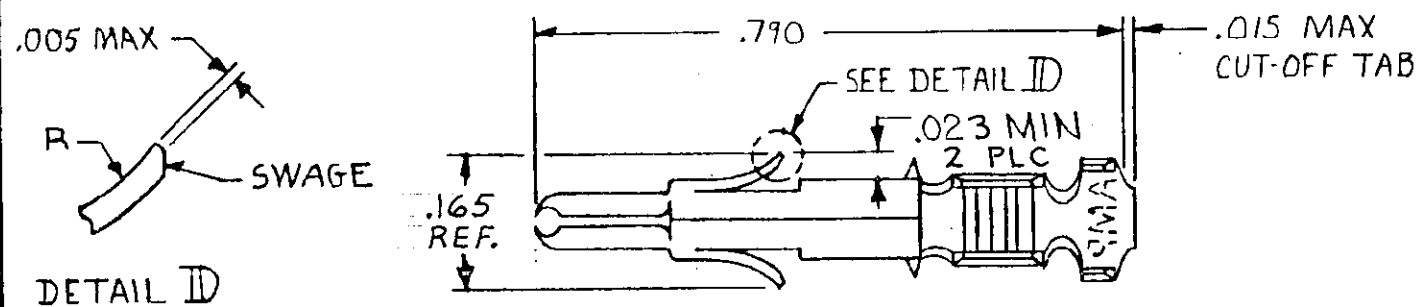


© COPYRIGHT 1974 BY AMP INCORPORATED, HARRISBURG, PA.
 ALL INTERNATIONAL RIGHTS RESERVED. AMP INCORPORATED PRODUCTS
 COVERED BY U. S. AND FOREIGN PATENTS AND/OR PATENTS PENDING.



REVISIONS						
P	F	ZONE	LTR	DESCRIPTION	DATE	APPROVED
✓	✓		E	REDRAWN & UPDATED M-6457	6-8-81	MSF/DH
✓	✓		F	REVISED M-7350	7/25/83	DAS/DH
✓			G	REVISED AG 57	10/2/83	Wheeler S. Tomlin
✓			GI	RESTORED	1/23/85	MC/KS
✓			H	REVISED PER CM-1728	9-6-88	PH/TB
			J	REV PER EC 0730-3607-93	1-7-94	RV/RS

① PLATED WITH .000030 GOLD, OVER .000050 NICKEL UNDERPLATE.
 ② PLATED INTERNALLY WITH .000030 GOLD.

.012 BRASS	GOLD ①	350705-7
.012 BRASS	GOLD ①/②	350705-2
	PRE-TIN	350705-1
MATERIAL	FINISH	PART NO

UNLESS OTHERWISE SPECIFIED DIMENSIONS ARE IN INCHES. TOLERANCES ON: DECIMALS ±.015 ANGLES ±	CONTRACT NO	AMP AMP INCORPORATED Harrisburg, Pa.		
	DR m.FEHER 4-8-81			
	CHK D.S. Heide 4/9/81	NAME SPLIT PIN, (LOOSE PIECE) UNIVERSAL MATE-N-LOK		
	WIRE RANGE 20-14 AWG	APPD R. Polachuk 6-10-81		
INSULATION RANGE .130 DIA MAX	DSGN APPD	SIZE B	CODE IDENT NO 00779	DRAWING NO 350705
	OTHER APPD	SCALE 4-1		SHEET